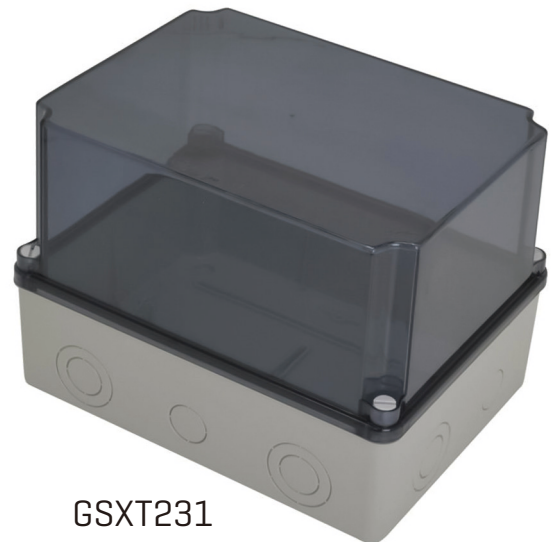




GSVT231



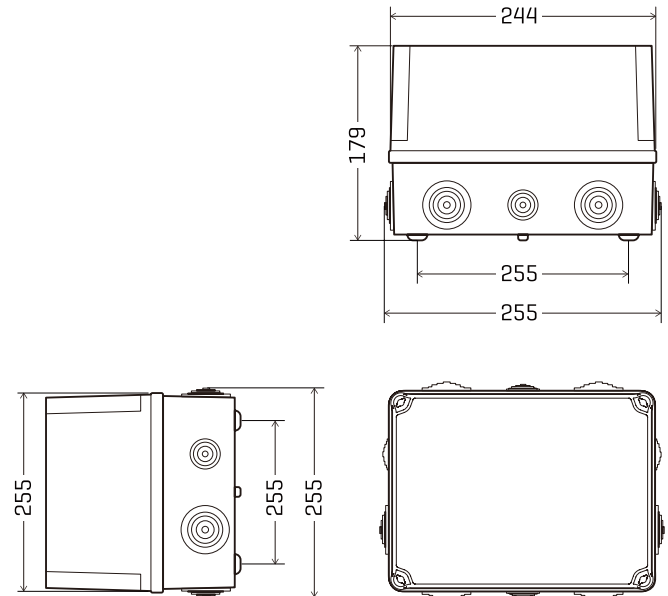
GSXT231

**Technical Specifications:**

IP Rating:	IP65/ GSXT231: IP67*
Impact Rating:	IK07
Weight:	0.87kg
Cable Entry:	4 x M25, 6 x M40
Materials:	Base: Halogen-free Polystyrene Lid: PC
Glow wire resistance:	650C
Ball Pressure Test:	70°C
Ambient Temperature Range:	-25C/ +40C
Max Operating Voltage:	1000 VAC/ 1500VDC
Double Insulation:	Class II

\* Using IP68 Gland

**Dimensions:**



**Compliance**

IEC 60998-2-5

